

60 Series Licence Plate Lamp

- Easy 3M Tape with Serrated Plug Fitting
- ECE Australian Road Approved
- Low Profile Compact Design
- IP67 Rated
- 5 Year Warranty

Function Licence Plate Lamp
Size 375mm x 173mm x 25mm
Voltage Multivolt 12-24V
LED Qty 4 SMD
Cable 10cm cable blister
 50cm cable bulk

Draw
@13.8V 0.03A
@28V 0.03A

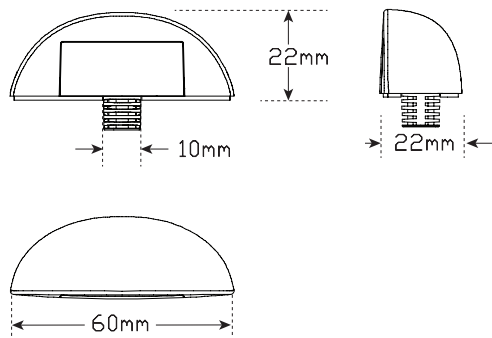
Approvals	Function	Approval
ECE	Licence 48/00	L 00 E9 1066 (2 Required)
CTA	Licence 48/00	CTA-060188



P/N 60WBLMB - Bulk Poly Bag



P/N 60BLM - Twin Blister
 P/N 60BLMB - Bulk Poly Bag



Fitting Instructions

Drill a 10mm hole for the serrated plug. Pull the sheathed cable through the hole. Remove the protective film from the 3M tape. Push the serrated plug into the hole. Line up the lamp and press firmly. The lamp is held securely with the plug serrations and high quality 3M tape, (2 Lamps Required for Approval). Please refer to ADR 13/00 for mounting instructions.

ECE
Approved
IP67
Protection
5 Year
Warranty



All enquiries P: (03) 9466 7075 E: led@ledtech.com.au, www.ledautolamps.com

All efforts are made to ensure all information is correct and up to date, it can be subject to change without notice. All measurements are in millimeters (mm) and are not to scale.

© All LED Technologies designs are registered throughout the world. - Current as of 22/09/2020